

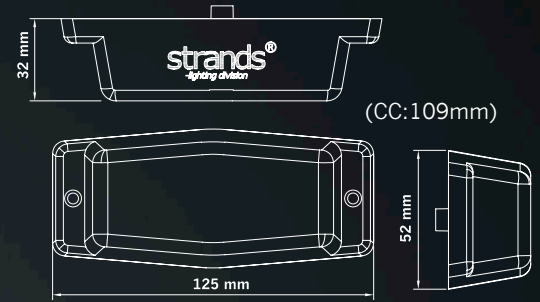
IZE LED AMBER

DOUBLE BURNER

WIRING INSTRUCTIONS

- **RED:** + WARNING LIGHT MIDDLE PART
- **BLACK:** (-) NEGATIVE
- **YELLOW:** PATTERN SELECTION / SYNCHRONIZATION*
- **WHITE:** + AMBER POSITION LIGHT

TECHNICAL DRAWING



TYPE OF CONNECTION: 1m Loose cable

ADDITIONAL INFORMATION

***YELLOW = PATTERN SELECTION AND SYNCHRONIZATION (Maximum 12 pcs) FOR WARNING LIGHT PART**

For pattern selection: Apply yellow to black.

Less than 1 second for next pattern.

1-3 seconds for previous pattern.

3-5 seconds for factory mode (pattern no. 1)

For synchronization: Connect all yellow wires together (no need to connect to positive or negative; just tie them up for sync).

Simultaneous or Alternating Flash + Reset group: Apply yellow to black wire

1. Set Group A: Connect yellow wire of all Group A's head together, apply to black wire 5-10 seconds. Group A is set. And the rest will be regarded as Group B.

2. Use Group A/B: Connect yellow wire of Group A and Group B together, Apply all Group A & B's yellow wires to Black wire for 10-15 seconds, Group A & B will be alternating. For resuming synchronization, apply all Group A & B's yellow wires to Black wire for 10-15 seconds again, Group A & B will be synchronized.

Reset group: Apply all Group A & B's yellow wires to Black wire for more than 15 seconds, group A & B will be reset.

Please note that if you remove all of the warning lights (even if they are already synchronized), or if you feel that one of the lights is not working, you will need to reset the lighting units. (To reset the lighting units, follow instructions as above). Warning part is not E-approved

FLASH PATTERNS ARE ONLY FOR MIDDLE WARNING PART

FLASH PATTERNS			
1	Single flash	11	Sixteen flash
2	Single flash - Slow	12	Single flash - split
3	Double flash	13	Double flash - split
4	Double flash - Slow	14	Quad flash - split
5	Triple flash	15	Octa flash - split
6	Quad flash - Fast	16	Single flash - split accelerate
7	Quad flash - Slow	17	Double flash - split accelerate
8	Octa flash - Fast	18	SOS flash
9	Octa flash - Slow	19	Steady on
10	Twelve flash	18/19 without Alternating Flash	



INCLUDED IN PACKAGE:

- 4pcs X M4 Screws (2 options)
- 2pcs X Washers
- 4pcs X Rubber washers
- 1pcs X Silicon pad
- Cable specification: Red, Black, Yellow, White: 0.5 mm² (Area)

Use the QR code to check out below information:

- ✓ Product specification
- ✓ Advanced manual
- ✓ Suitable products



READ ALL THE INSTRUCTIONS AND STUDY THE DIAGRAMS BEFORE INSTALLING NEW LIGHT!

LEGAL MOUNTING

- Please check state and local laws for proper usage and mounting. Strands will not be responsible for products mounted incorrectly or in violation of local laws (e.g., ECE R48 regulation for the EU)

PRODUCT CARE

- Clean the product with lukewarm water and an alkaline degreaser. Avoid strong chemicals; rinse immediately if exposed. Do not use a pressure washer for cleaning.
- Take care if your light has a breather. Ensure it is protected against rain and dust, especially if it has a sticker breather. Damage to the breather due to incorrect installation will void the warranty.
- Internal moisture is normal and will dissipate through the breather vent after several days of use.
- We do not recommend painting the product housing. If paint is still applied, please ensure the breather is protected and an oven is not used for curing the paint. Otherwise, the warranty might be void.

INSTALLATION

- Ensure power is turned off during installation.
- Do not cut the connector cable to less than 50 cm. If the original cable is already shorter than 50 cm, leave it as is. Otherwise, the warranty will be void.
- Make sure to use only the correct accessories included in the package. Installation errors may void the warranty.
- Tighten screws, washers, and nuts to prevent them from loosening or chafing. Do not overtighten screws to avoid damaging the product's protective components.
- Use a watertight solution for wiring connections.

WARNING!

- For safe operation, use only the voltage specified in the product description. This light becomes hot under continuous use. Do not remove or touch the casing for at least 30 minutes after turning the lamp off

Contact us if you need support: support@strands.se or +46(0)320-450450
Please also refer to the FAQ section on our website for more information.

www.strands.se
www.strandseurope.com



strands[®]
-lighting division